



NTSYSTEMS

ELECTRIC PROPULSION MADE EASY

**ELECTRIC MOTORS
TECHNICAL DATASHEET**



About our electric motors

NT Systems is a compact turnkey electric propulsion system suitable for commercial and leisure applications, offering a power range from 25 kW to 500 kW per unit. Our systems are designed for easy servicing, require minimal maintenance, and can be installed on various drive units. To operate, simply connect the power supply, communication cables, and seawater for cooling.

The design supports multiple-motor installations, which increases the propulsion power and expands the range of applications and usefulness. A quadruple set of motors can easily provide 1400 kW (1,880 HP) or more, if necessary.

NEW



C Series uses a radial flux permanent magnet synchronous motor. The series is available in thrust-bearing or gearbox versions with an output power options of 160 or 200 kW.



S, T and F Series use axial flux permanent magnet synchronous motor, which offers best-in-class power density. Power ranges from 25 to 500 kW.





Overview of the series

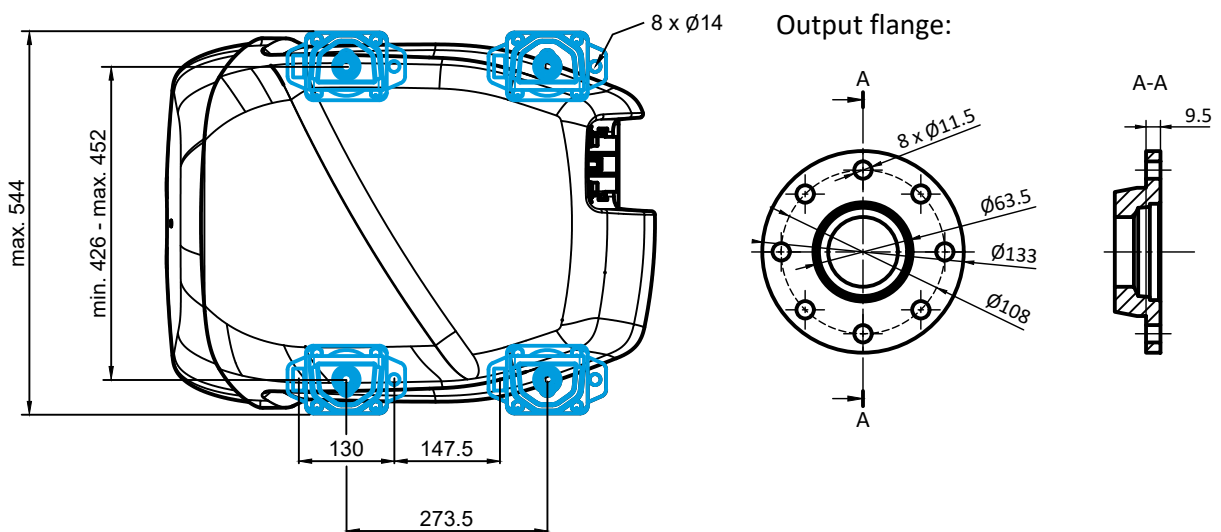
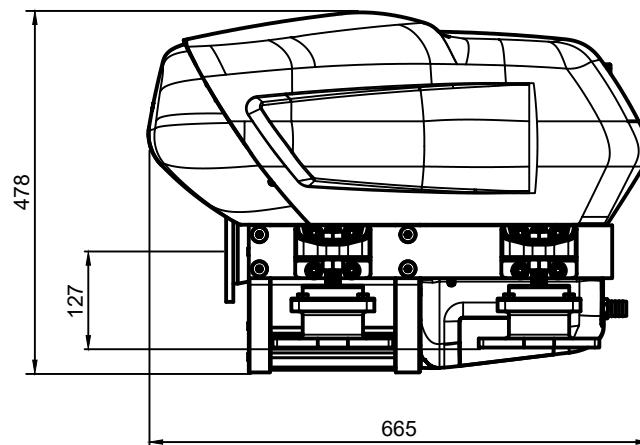
	Power [kW] (continuous)	Power [kW] (peak)	Torque [Nm]	Motor Speed [rpm]	Battery [Vdc]	Length [mm]	Weight [kg]
C series							
C160	160	210	500	3200	400	665	103
C200	200	290	680	3000	700	665	113
S series							
S25	25	45	50	4800	400	575	32
S32	32	64	65	4600	400	630	45
S50	50	100	105	4500	400	736	60
S100	100	200	210	4500	700	875	75
S175	175	350	465	3600	700	903	115
T series							
T50	50	90	100	4800	400	705	55
T64	64	128	135	4600	400	755	65
T100	100	200	210	4500	400	812	90
T200	200	400	425	4500	700	945	120
T275	275	550	730	3600	700	1090	175
T350	350	700	930	3600	700	1120	205
F series							
F425	425						
F500	500						
				COMING SOON			





Technical specifications and drawings

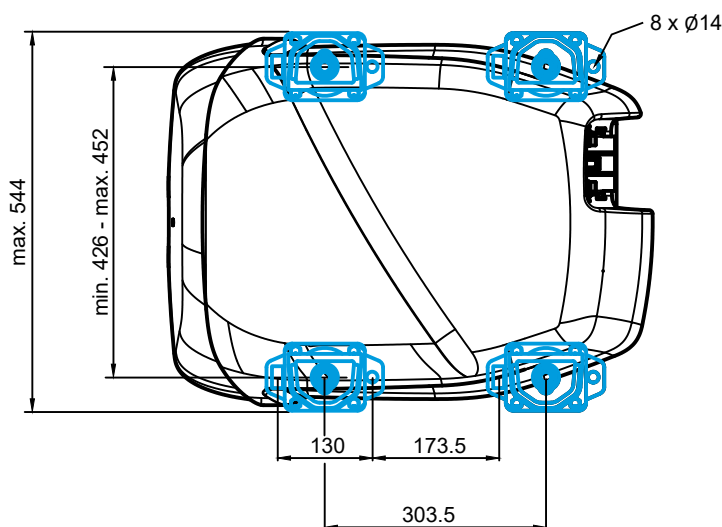
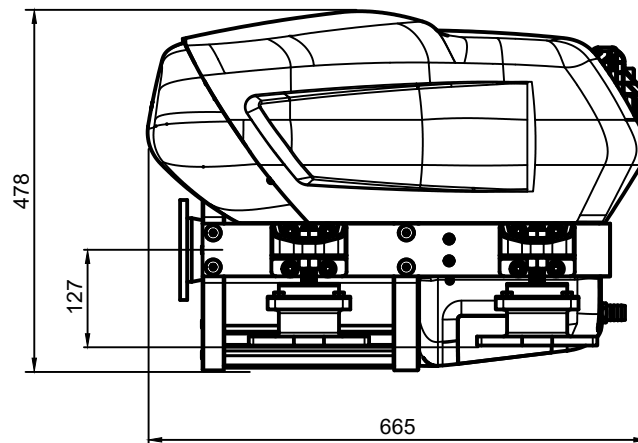
C160	
Power (continuous/peak)	160/210 kW
Torque (continuous at 3200 rpm)	500 Nm
Motor speed (rated/max)	3200/4000 rpm
Battery voltage	400 Vdc
Weight	103 kg
Seawater connection	Hose tail 20 mm
Main cable connection	2 x 95 mm ² (1x B-, 1x B+)
Main cable connector	Amphenol HVSL 1400 series (included)
CAN communication	5 pin, M12
GND connection	M6 stud
12 V AUX connection	Amphenol ATP series (included)



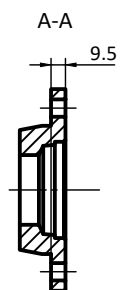
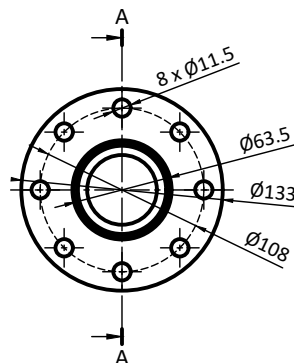


Technical specifications and drawings

C200	
Power (continuous/peak)	200/290 kW
Torque (continuous at 3000 rpm)	680 Nm
Motor speed (rated/max)	3000/4000 rpm
Battery voltage	700 Vdc
Weight	113 kg
Seawater connection	Hose tail 20 mm
Main cable connection	2 x 95 mm ² (1x B-, 1x B+)
Main cable connector	Amphenol HVSL 1400 series (included)
CAN communication	5 pin, M12
GND connection	M6 stud
12 V AUX connection	Amphenol ATP series (included)



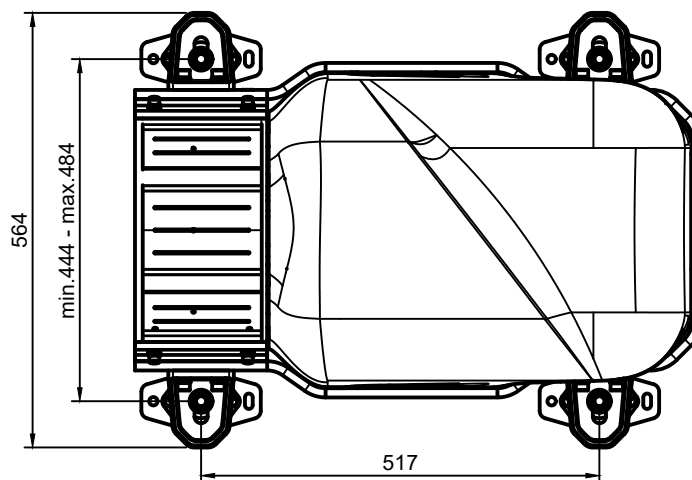
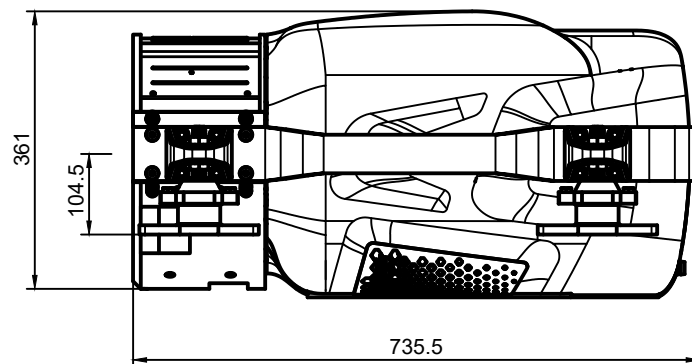
Output flange:





Technical specifications and drawings

S50	
Power (continuous/peak)	50/100 kW
Torque (continuous at 4500 rpm)	105 Nm
Motor speed (rated/max)	4500/5000 rpm
Battery voltage	400 Vdc
Weight	60 kg
Bell housing	B/W
Coupling	SAE z=26 20/40 profile (SAE 11.5" size)
Seawater connection	Hose tail 16 mm
Main cable connection	2 x 50 mm ² (1x B-, 1x B+)
Main cable connector	Amphenol HVSL 1000 series (included)
CAN communication	5 pin, M12
GND connection	M6 stud



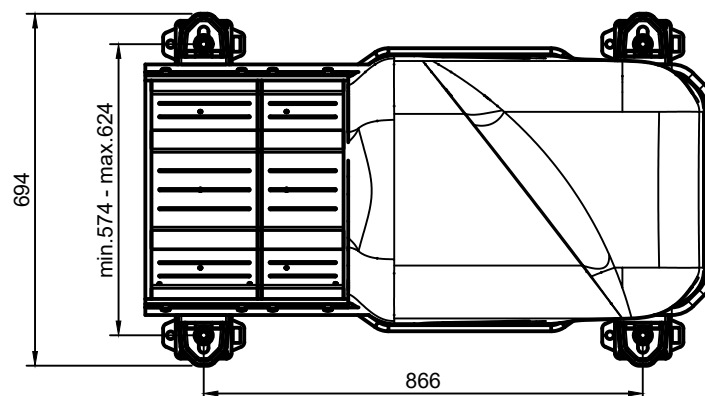
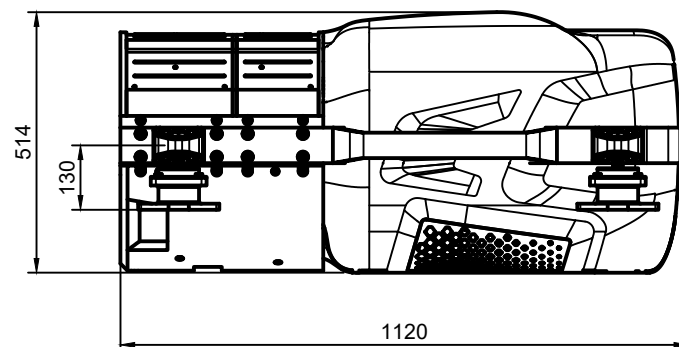
Please contact us for more technical specifications about S series.





Technical specifications and drawings

T350	
Power (continuous/peak)	350/700 kW
Torque (continuous at 3600 rpm)	930 Nm
Motor speed (rated/max)	3600/4000 rpm
Battery voltage	700 Vdc
Weight	205 kg
Bell housing	B/W or SAE 3
Coupling	SAE z=26 20/40 profile (SAE 11.5" size)
Seawater connection	Hose tail 20 mm
Main cable connection	4 x 120 mm ² (2x B-, 2x B+)
Main cable connector	Amphenol HVSL 1400 series (included)
CAN communication	5 pin, M12
GND connection	M6 stud



Please contact us for more technical specifications about T series.

Disclaimer: The specifications provided are subject to change without notice. Always refer to the latest version available on our website.

