



**NTSYSTEMS**  
ELECTRIC PROPULSION MADE EASY

**DISPLAY  
TECHNICAL DATASHEET**



## About our display

The user interface is intuitive and easy to use. It shows all important data on the home screen. An overview of all parameters from system components is available in submenus.



The system also features remote access, with an additional hotspot or ethernet connection, which will allow a unique customer experience, remote system updates, customisations and customer service.

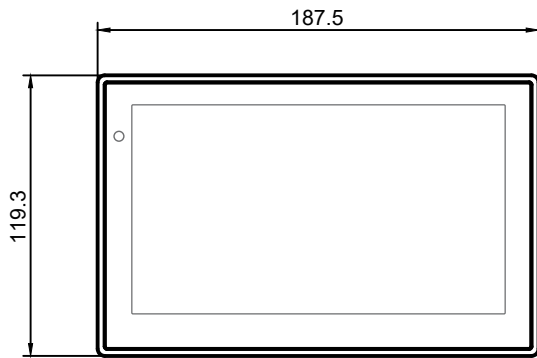
## Technical specifications

<b>DISPLAY</b>	
LCD size	7 inch
Resolution	1024 x 600 px
Touch screen	Capacitive touch (glove, wet touch)
Surface treatment	Anti glare
Brightness	1000 nits
Contrast ratio	1000:1
Viewing angle	85° (all directions)
Size	187.5 x 119.3 mm
Depth	58.9 mm (without CAN connector)
Thickness (surface mount)	2.9 mm
Flush or surface mount	Yes
Cutout (surface mount)	177 x 109 mm
Weight	1240 g
Connector	5 pin, M12
Communication and power supply	CANbus
Supply voltage	7 - 13.5 V
Power rating	max 10 W, typically 6.5 W
Operating temperature	-25 - 70 °C
Storage temperature	-40 - 85 °C

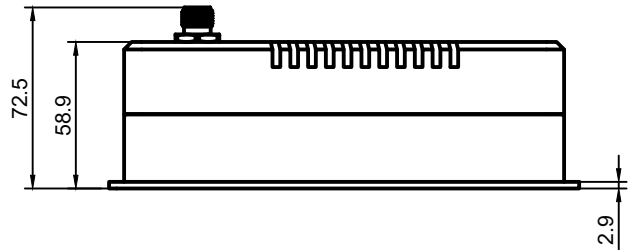




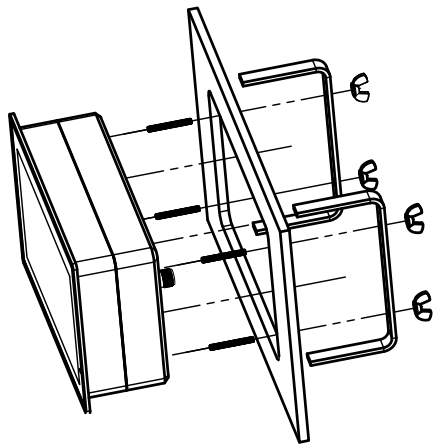
Technical drawings and overview of components



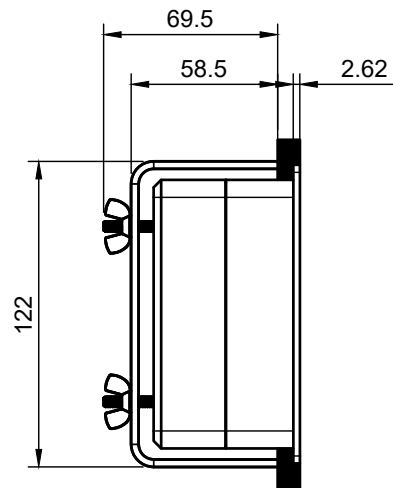
Display dimensions



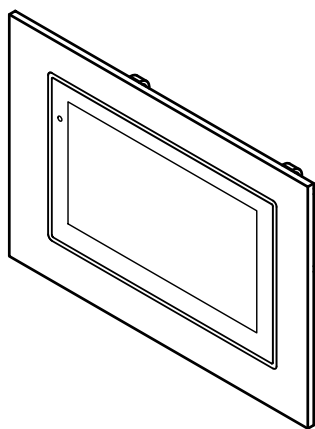
Display dimensions



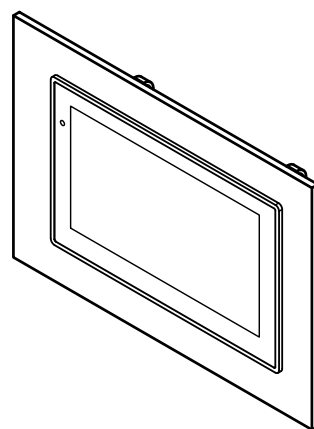
Mounting kit components



Mounting kit dimensions



Mounting options (Flush mount)



Mounting options (Surface mount)

Disclaimer: The specifications provided are subject to change without notice. Always refer to the latest version available on our website.

